

# NetWay3012P

PoE+ Adapter/Converters



Altronix Netway3012P provides simultaneous 12VDC and PoE/PoE+ outputs for applications including PoE cameras and external microphones, control boards, switching equipment, and more.



NetWay3012P

## Specifications

### Functions

Passes PoE+ and converts PoE to 12VDC  
Speed: 10/100 Mbps.

### Output

Up to PoE+  
12VDC up to 2A  
30W max combined

### Indicators (LED)

Red LED: Power ON

### Agency Listings

CE European Conformity

### Physical and Environmental

#### Dimensions (W x L x H)

3.8" x 2.5" x 1" (96.52mm x 63.5mm x 25.4mm)

#### Weight (approx.)

Product Weight: 0.2 lbs. (0.1 kg)  
Shipping Weight: 0.25 lbs. (0.11 kg)

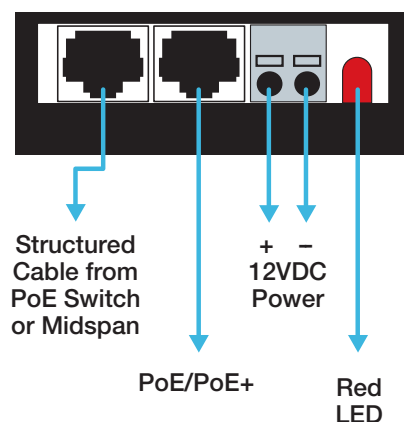
#### Temperature

Operating: 0°C to 50°C (32°F to 122°F)  
Storage: -40°C to 70°C (-40° to 158°F)

Relative Humidity 85% +/-5%

Operating Altitude: -304.8 to 3,048m

## Typical Application



### Lifetime Warranty